

WHAT IS RFID

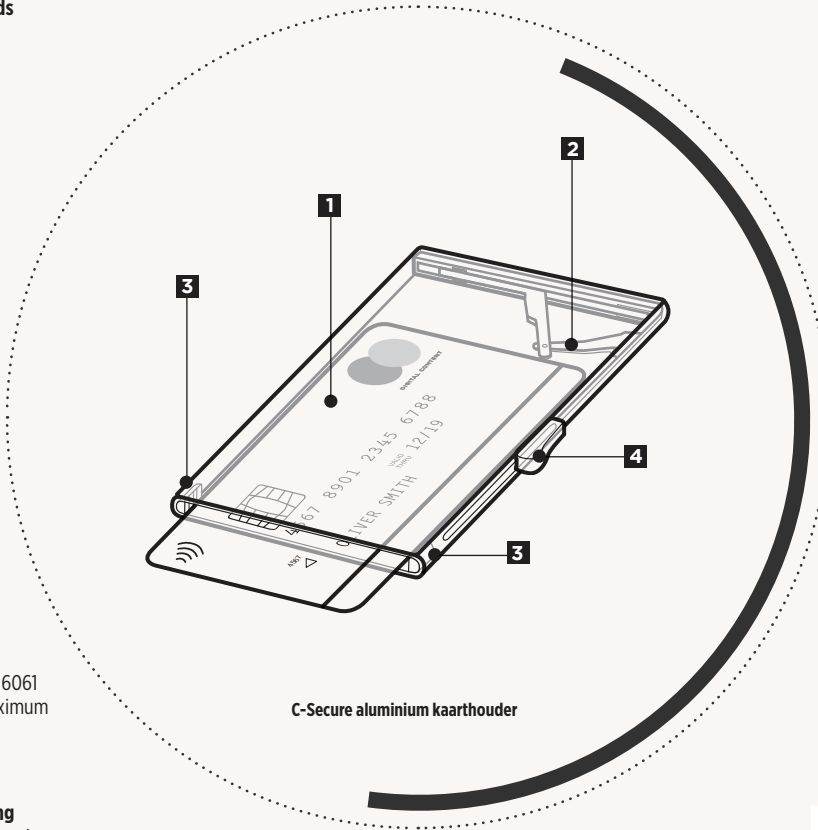


→ RFID TECHNOLOGY

RFID, Radio Frequency Identification, technology is used in:

- credit cards/ debit cards
- passports
- employer/ government ID cards
- highway toll passcards
- subway passes

AND WHY SHOULD I CARRY AN RFID-BLOCKING WALLET?



1 Aluminum
Front armour uses 6061 Aluminium for maximum RFID protection.

2 High quality spring (step by step system)
Will draw out the cards step by step (gradually).

3 Silicon parts
Prevent the cards falling out.

4 Side switch
Easy and smooth side switch can be used both for left and right handed users.



RFID card holder and/or wallet
Storing your cards in a wallet that prevents RFID theft is a foolproof way of preventing this. When inside a RFID protected wallet, it is impossible for anyone to access the data on your card via RFID.

